

topaLit[®]
AUSTRIA

Designed

TO RESIST

ASSEMBLY
AND MORE



TOPALIT[®]

Factsheets

General Information

Topalit[®] products are manufactured according to a special pressure-molding process and have proven themselves in a wide range of applications. Topalit[®] only uses high-quality, carefully selected raw materials in its products. The manufacturing process is continuously adapted to new technical developments. For this reason, we reserve the right to make changes to the descriptions in the price list or in display samples as a result of technical advancements.

Raw Materials & Manufacturing

The raw wood consists of only select, healthy hardwood from sustainable, domestic forestry. Old wood and tropical wood are not used. High-quality, duroplastic synthetic resins are used as binding agents. Various additives to the molding compound improve the properties of the finished product. The surface coating of the pressed parts and the manufacturing of the core material take place in a multi-stage process in which the surface and core are hardened and bound together in the pressure mold. The surface of the pressed parts consists of up to 5 layers designed to be mutually compatible.

Processing and Installation

Topalit[®] products can be worked with normal wood-working tools. Our installation instructions must always be followed during installation. Complaints that are verifiably the result of incorrect installation or failure to observe our installation instructions cannot be accepted. Objections may only be raised prior to

further processing or working of the delivered goods. If the fault is not reported in good time, the delivery is considered to have been contractually performed.

Sawing

With circular saws, the optimal feeding speed is about 5 m/min. The saw blade should not protrude more than 10 mm past the Topalit[®] profile thickness in order to avoid splintering on the bottom side of the profile. During all sawing work, the decor side should face up, otherwise felt should be placed on the surface of the machine to prevent scratches.

Drilling

Use commercially available HSS twist drills with a point angle of approx. 120°. Use a pad to prevent chipping.

Milling

Routers and spindle mills can be used. We advise the use of suitable hard-metal heads.

Disposal

Topalit[®] scraps can be disposed of as household waste or burned in waste incineration plants. Please observe the instructions of your local disposal company.

Trademarks

The Topalit[®] name and logo are trademarked.

Did you know?

Topalit[®] GmbH products are chlorine-free and contain no isocyanates, phosphates or organic halogens as well as no lindane or PCP. The coating materials used are free of heavy metals. The moulded parts comply with class E1 for wood materials with regard to formaldehyde emission. The synthetic resins used prevent electrostatic charging.

Topalit® Tischplatten Classicline, Smartline® & Compactline

General Information

Compression-molded Topalit® tabletops have a seamless usage surface. The material properties result in a robust, long-lasting product. Here you will find information and recommendations on the use and properties of our Classicline, Smartline® and Compactline tabletops.

Durable Surface

Topalit® tabletops comply with EN438 in terms of durability. The innovative XD Surface® bestows the best values for scratch resistance and durability on Topalit® tabletops (up to 10 times higher than alternative products). However, the surface is not scratch and abrasion resistant indefinitely. Note that pointed objects, stoneware, non-glazed porcelain or the like can leave scratches.

Heat and Cigarette Ash resistant

Topalit® tabletops are resistant to cigarette embers in accordance with EN 438. Furthermore, they are constantly resistant to heat up to 180 °C. A change in glossiness and/or slight discolorations are possible if the tabletops are exposed to higher temperatures.

UV-Light resistant

Due to the high UV-light resistance, Topalit® tabletops are suited well for outdoor use.

If Topalit® tabletops are to be used in locations exposed to strong sunlight, it is recommended that lighter-colored decors be used. When subjected to sunlight, dark decors can heat up to over 80 °C. Topalit® tabletops that are subjected to heavy sunlight tend to a concave shape. In other words, the edges bend upward and the center down. To counteract this deformation, the tabletops are produced with a slightly convex curvature. This convex pre-stressing flattens out when exposed to sunlight.

Thus, Topalit® tabletops are never perfectly level. Please consider this when placing them next to each other. Tables made of our panels are only limitedly suitable for combining into larger surfaces.

Resistant against Chemicals

Topalit® tabletops are resistant to the effects of chemicals which are usually found in household cleaning products. Acids and dyes from foods also have no effect on the XD-surface. Acids such as acetic acid (glacial acetic acid), hydrochloric acid, nitric acid, sulphuric acid and similar materials inflict more-or-less damage to the surface depending on the concentration and/or duration of exposure. This can lead to a loss of glossiness and discoloration up to hydrolysis, meaning up to the destruction of the surface resin layer. In the event of brief exposures, more severe damage can be prevented by quickly thinning the acid with water. Use protection against acids for your eyes and hands.

Frame-Recommendation

For table tops from size 120 x 80 cm and all Smartline® tabletops, we recommend the use of table frames with a circumferential frame.

With these frames, care must be taken to provide sufficient support for the tabletop. This is especially recommended for Smartline® table tops.

Storage

Storing the Topalit® tabletops in a dry area is recommended. Topalit® tabletops may not be stored outdoors with the bottom side facing up. Due to the convex edges, rainwater will not drain out of the panels.

Tables with Topalit®

Tabletops

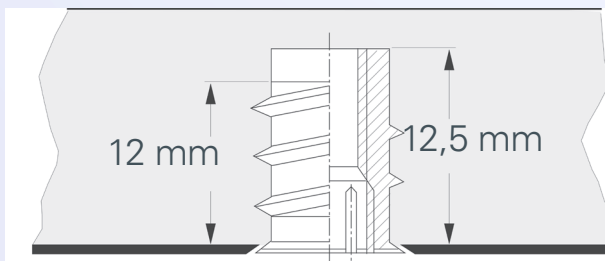
Classicline & Smartline®

Topalit® tabletops are high-pressure moulded parts with a jointless surface in use. The material properties result in a robust and durable product. The chosen design is always only one part of a successful tabletop design. Topalit®'s decades of experience are evident in every detail and make every tabletop recognisable as a quality piece of work. Tabletop and table frame should form a unit as a table. Below you will find recommendations for table frames.

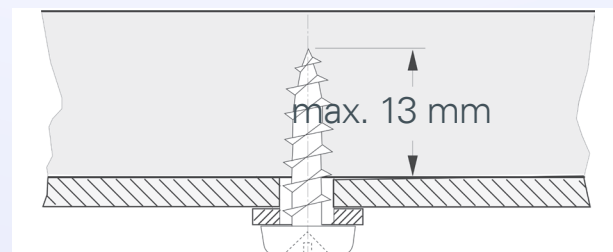
Connection of Tabletop and Frame

We recommend the use of wood-based material screws $\varnothing 4\text{mm}$. The material density of the Topalit® table tops results in a high screw pull-out resistance. Use screws with a diameter of 5mm. Pre-drill with a drill bit that has the thickness of the core diameter of the screw. To avoid overtightening the screw, we recommend using machines with a torque adjustment. The length of the screw should be chosen so that the screw penetrates max. 13mm into the table top.

If the tables are delivered in such a way that the end customer has to carry out the assembly, we recommend using M6 threaded sockets made of steel or brass. Ensure that the external thread is suitable for wood materials. Length of the socket 12mm with a max. hole depth of 12.5mm. The hole diameter should be the core diameter of the threaded socket. When screwing in, make sure that this is done straight and flush with the surface. Follow the recommendations of the respective manufacturer when inserting the threaded sleeves.



Fastening using a threaded sleeve



Fastening using a screw

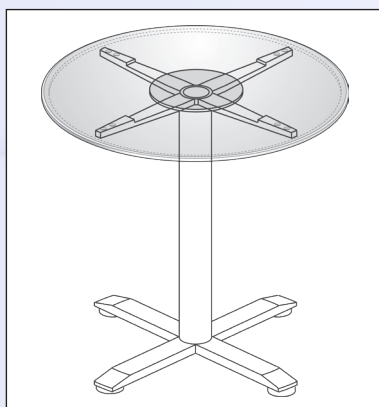
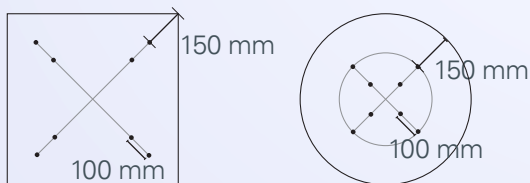
Table Frames

The table frame and the Topalit® tabletop should be matched to each other. In this way, you will achieve very good dimensional stability of both components over many years. We recommend using high-quality, certified table frames. Please note that dark decors can have high surface temperatures and are therefore only suitable for use in direct sunlight to a limited extent.

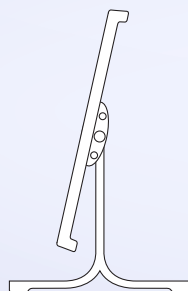
Table Frames

Single-column Table Frame

This design is suitable for round and square Topalit[®] tabletops up to max. R80cm / 80x80cm (except for Smartline[®] tabletops). To prevent the table from tipping, pay attention to the position of the table legs. A frame with four feet is preferable to one with three. Topalit[®] tabletops are attached to the column via a metal plate or with a four-armed metal cross. We recommend using two screw-on points per cross arm (diagonal for metal plates). Make sure that one row of screw-on points is positioned as far as possible from the edges of the top. Another row of screw-on points should be positioned in the centre of the panels. The screw-on points should not exceed a max. edge distance of 150mm. The fixing points should be at least 100 mm apart.



Storage advice:
So that no water remains on the edge.



Double-column Table Frame

The described features of the single-column frame apply figuratively. For rectangular Topalit[®] tabletops, use a frame support running crosswise or parallel to the longitudinal edge. These profiles should be screwed to the underside of the tabletop.

It is essential that the two columns are rigidly connected with a fixed strut. The strut should be mounted max. 20 cm from the underside of the table top. A second strut mounted 20 cm above the floor would be optimal. Braces are strongly recommended for tabletop formats from 90x90cm.

The frame brace should look as follows:

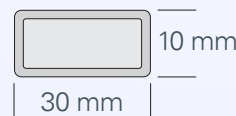
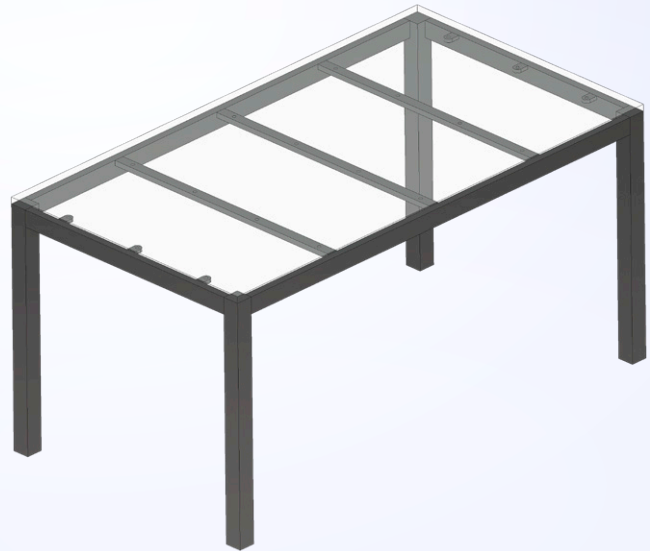


Table Frames

Circumferential Frames

For tabletops from size 120 x 80 or for all Smartline[®] tabletops, we recommend the use of table frames with a circumferential frame. Even with these frames, care must be taken to provide sufficient support for the tabletop. The centre bars must be flush with the surrounding frame.



Topalit[®] Service

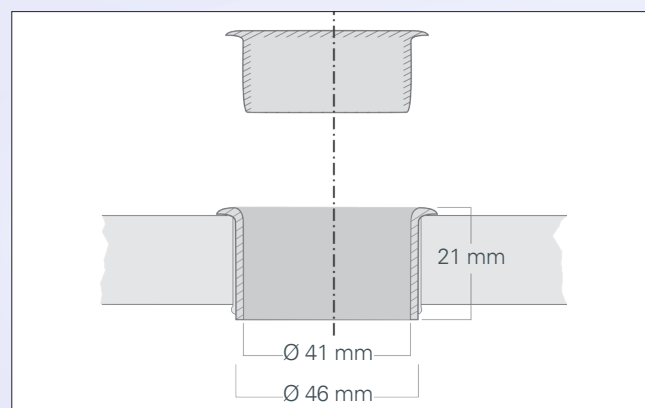
Insertion of Threaded Sleeves

Topalit[®] offers the insertion of threaded sleeves as a service. We require a dimension sheet in which the 150 mm to the edge of the tabletop is observed. We will be happy to make you an offer. Please contact our sales department.

Parasol Hole drilling and insertion

We offer you the drilling of the parasol hole and the insertion of the plastic insert as a service. Please contact us and we will be happy to make you an offer. If you want to do this yourself, please note the following:

- Use a carbide-tipped crown drill with a diameter of 46 mm.
- Drill from both sides to obtain a through hole with a tear-free edge.
- Seal the chip core exposed by drilling with a cut edge sealer such as "Würtz PAT 925WF" to protect against waterlogging.
- Insert the plastic insert into the prepared drill hole.



TECHNICAL DATA of Topalit®

Mouldings

	table tops	window sill	unit	test standard
1. Density	720 - 850	700 - 800	kg/m ³	EN 323
2. Bending strength	30 - 35	30 - 35	N/mm ²	EN 310 / EN 438
3. Modulus of elasticity MOE	3500 - 5000	3500 - 5000	N/mm ²	EN 310 / EN 438
4. Cross tensile strength (internal bond)	1,0 - 2,0	1,0- 2,0	N/mm ²	EN 319
5. Screw holding strength	800 - 1300	800 - 1300	N	Topalit Standard ¹⁾
6. Swelling immersed in water at 20°C				
after 2 hours	0,3 - 0,6	0,3 - 0,6	%	EN 317
after 24 hours	5,0 - 8,0	2,0 - 5,0	%	EN 317
7. Moisture content	5 - 12	5 - 10	%	EN 322
8. Resistance to fire impact	normally inflammable	normally inflammable		DIN EN 13501-1
9. Resistance to permanent temperature impact	-50 to +180	-50 to +180	°C	Topalit Standard
10. Change of length due to moisture and heat	1 - 3	1 - 3	mm/m	Topalit Standard ²⁾
11. Thermal conductivity I 10	0,13	0,13	W/mK	DIN 52 612
12. Scratch resistance	3 - 5,5	3 - 5,5	N	EN 438
13. Wear resistance				
standard quality	50	50	revolutions	ÖNORM EN 14322
XD wear resistant surface	350 - 550	450-600	revolutions	ÖNORM EN 14322
14. Light resistance (except for logotops)	level 6 - 8	level 6 - 8		DIN 54 004
15. Resistance to chemical action	good to excellent	good to excellent		EN 438
16. Resistance to cigarette ember	glow resistant	glow resistant		EN 438
17. Resistant to hot bottom of a dish	resistant level 5	resistant level 5		EN 438
18. Free Formaldehyde	0,015	0,021	mg/m ³	EN 717

¹⁾ 4mm Spax-screw, into drill hole 3 mm diameter, screwed in 10 mm

²⁾ maximum expected change of length

EN = European Standard

DIN = German Standard

Designed
TO RESIST

This technical data sheet can and should only provide non-binding advice. We ask that all information on working with our products be adapted to local conditions and the materials used. For further technical information, please refer to our respective individual brochures. Status: January 2025.

Reprinting or other reproduction, including excerpts only with the permission of the publisher. Misprints and technical changes reserved.

R U P . a t